

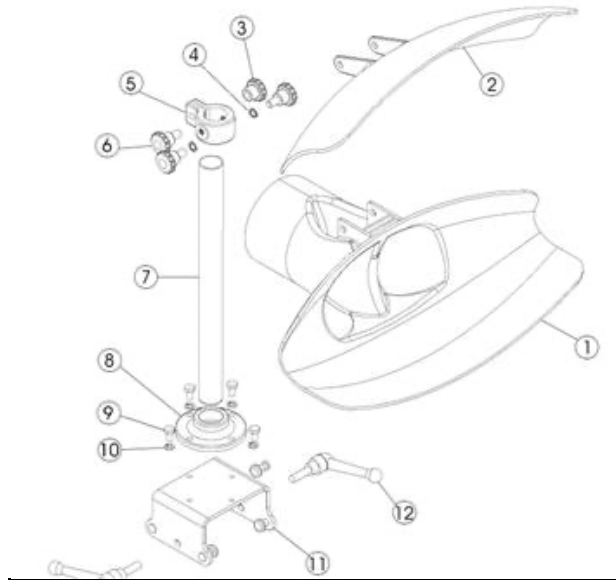
3520 Dust Collection Discussion:

<http://www.sawmillcreek.org/showthread.php?t=52997>

Excerpts:

- I have a "B" and a JET DC1200 with 6" flex tubing. I took a small spring clamp and clamped the flex hose to the support casted underneath the bed. See Pic below (Clamp from top side while flex hose is fed from underneath)
- After I put [the Powermatic Dust Collection Chute] on it doesn't look like there is much room left for a bowl blank because there isn't much distance between it and the tool rest even when it is all the way to the back of the banjo. Is this dust port just for spindle work?
- The dust port is indeed primarily for spindle work according to the video I received with my 3520B.

Powermatic 3520 Dust Collection Chute Part 6294796



- **Discussion:** <http://www.aawforum.org/community/threads/4516>

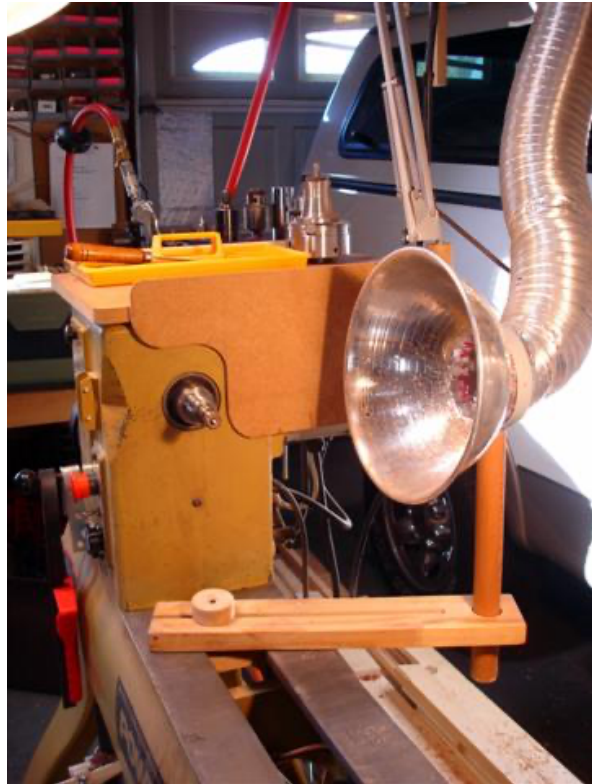
Lamp Shade and "Banjo" Design

From Jerry Hall:

Here is the picture of my dust collection.

Features:

- Aluminum shop light shade commonly available at HW stores
- Dryer vent hose to give a bit of rigidity for placement. May change over to regular ribbed hose if it doesn't hold up
- Cut open the shade with snips to make tabs and an opening to fit hose and taped on. Used Aluminum duct tape (not the cheap stuff) inside and out.
- Made "Banjo" with long slot for positioning and adjustable clamping to ways.
- "Shade" fixed by plastic plumbers' tape to height adjustable 1-1/4" dowel. Friction fit to hole in Banjo to move up and down. Top 2/3 of the hole is oversized, only bottom part is friction fit to ease adjustment. Sanded to fine tune.
- Removes easily, but mostly is tucked out of the way well back, or against headstock.
- The hose goes overhead to a gated dust collection port to my central Oneida system. Stand-alone system would work too. Need high volume, low vacuum, dust collection to be effective. I have a remote, so I don't have an excuse for not using it. But late at night my wife does show up and tell me to turn the darn thing off.



I guess that's it. Works great. Not too pretty. Can't have everything. You might want to make the banjo a bit longer than I did, but it is a tradeoff between clearance from your work and your belly button.

Alternative that should work well would be to put a horizontal pipe or bar off of that headstock bracket and fix the same set up to it, providing for adjustment up and down. This wouldn't clutter up the ways. The pipe could also hold flexible arm lighting. But the "Banjo" solution provides, I think, more flexibility for positioning.